



PROTECT

combined with active carbon



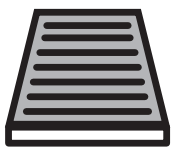
FOR  
CITROËN

C3 A/C- (04/02 >) / C3 PLURIEL A/C- (05/03 >)



698714

FH209

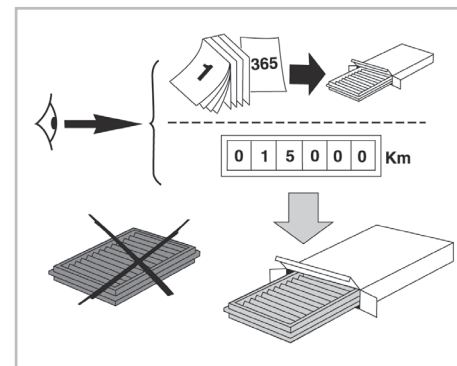
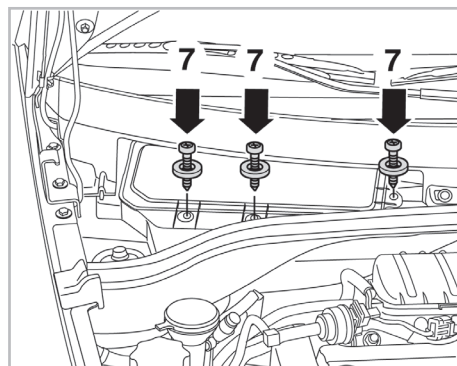
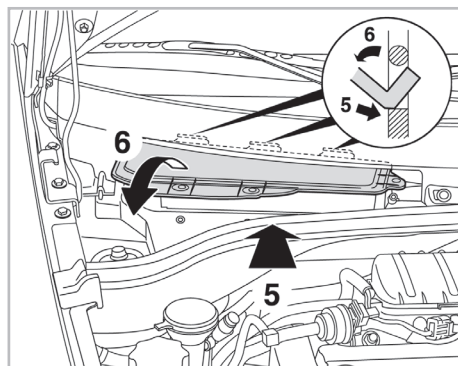
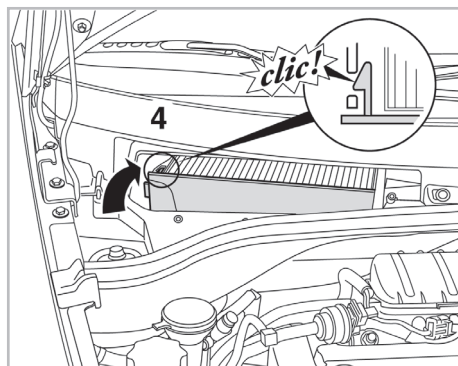
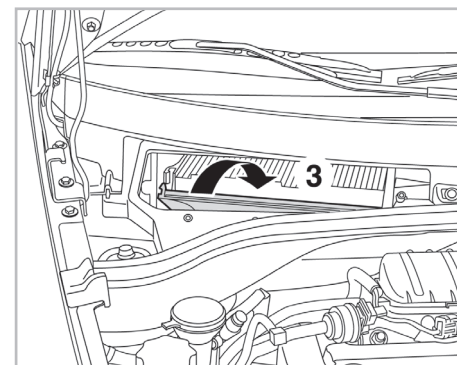
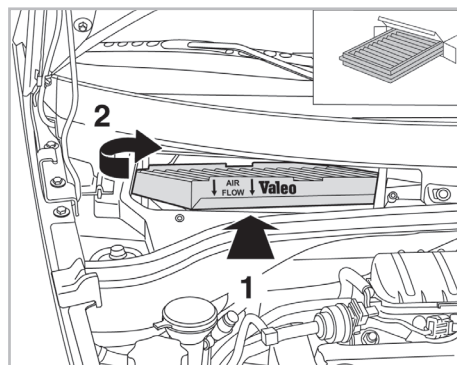
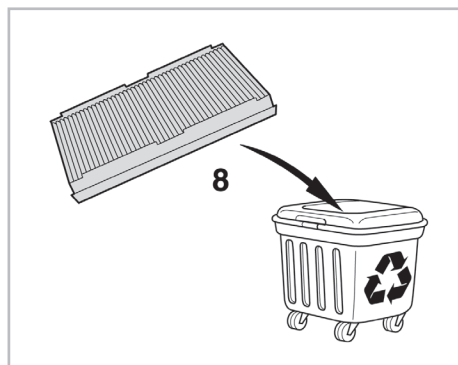
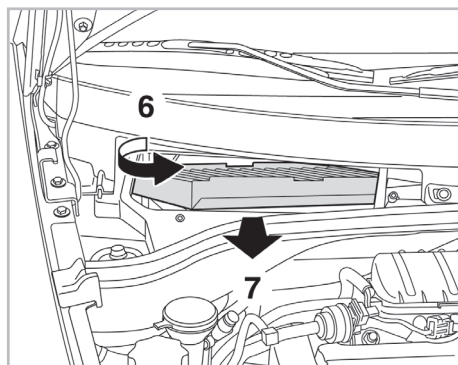
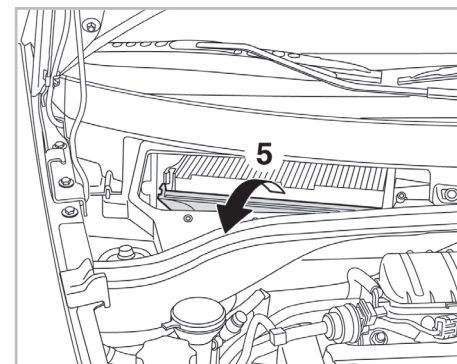
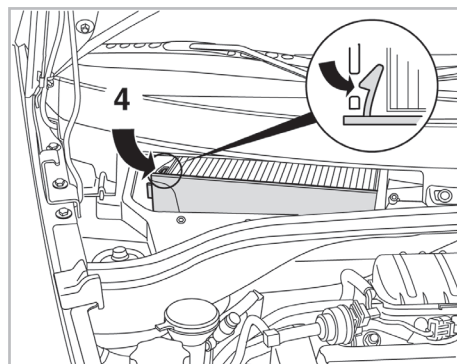
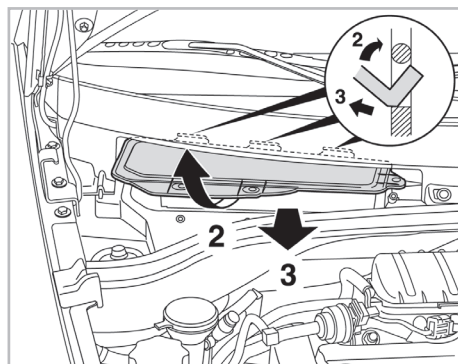
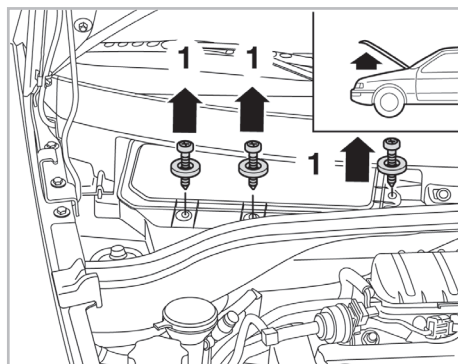


CA

WANT TO  
KNOW MORE?



www.valeo-techassist.com



Valeo Service - Société par Actions simplifiée - Capital de 12 900 000 € - 70, rue Playel, 93285 Saint-Denis Cedex - France - B 306 486 408 RCS Bobigny



FOR  
**PEUGEOT** 307 A/C+ (03/01 >) / 308 A/C A+ (09/07 >)



**PROTECT**

combined with  
active carbon



**698714**

FH209

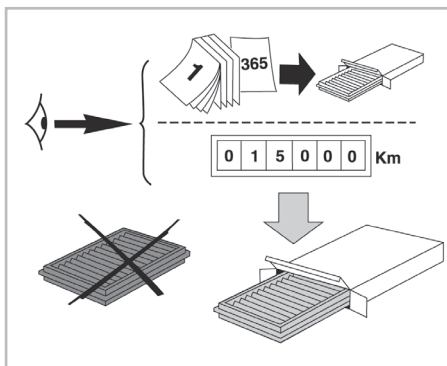
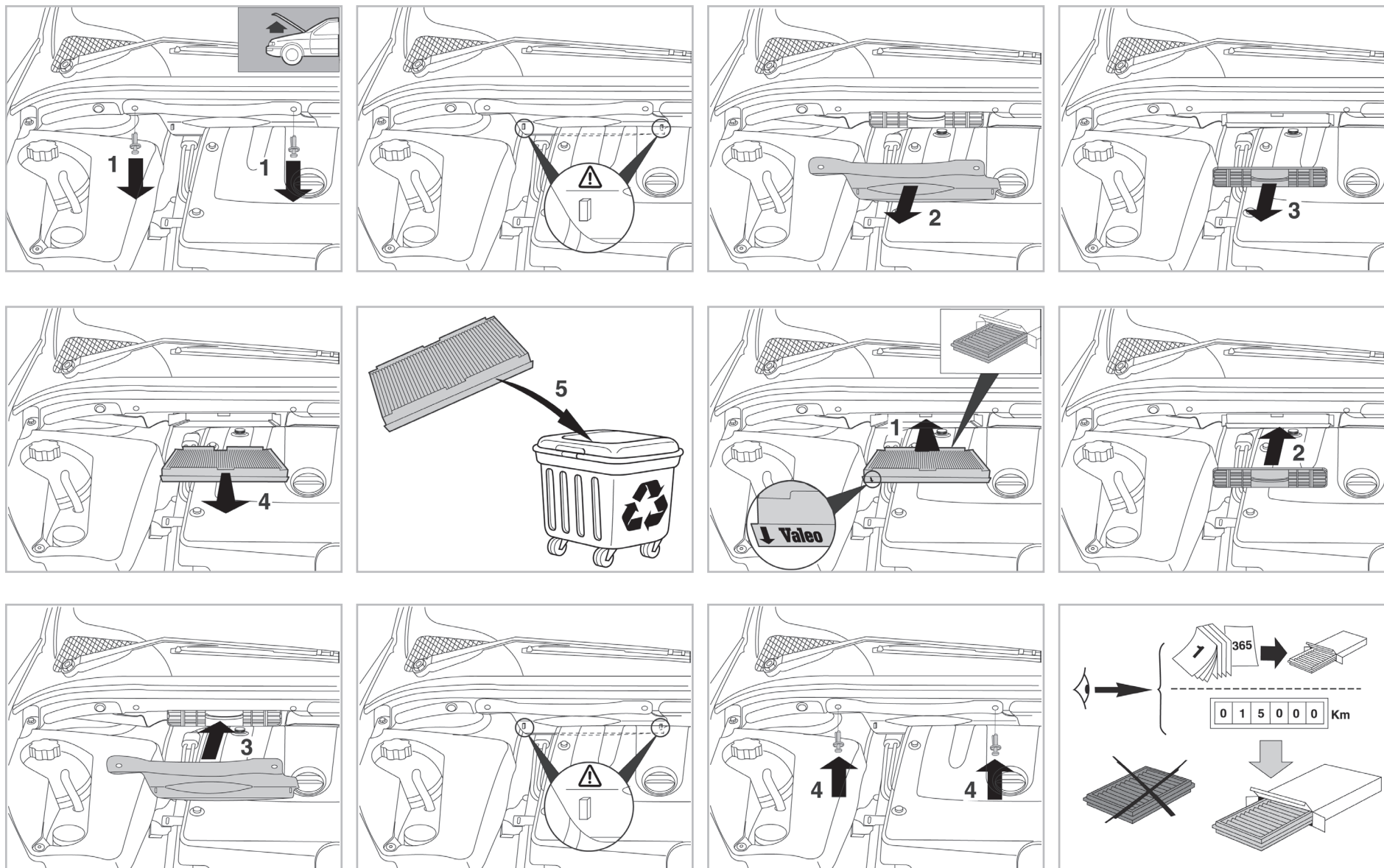


CA

**WANT TO  
KNOW MORE?**



[www.valeo-techassist.com](http://www.valeo-techassist.com)



Valeo Service - Société par Actions simplifiée - Capital de 12 900 000 € - 70, rue Playel, 93285 Saint-Denis Cedex - France - B 306 486 408 RCS Bobigny